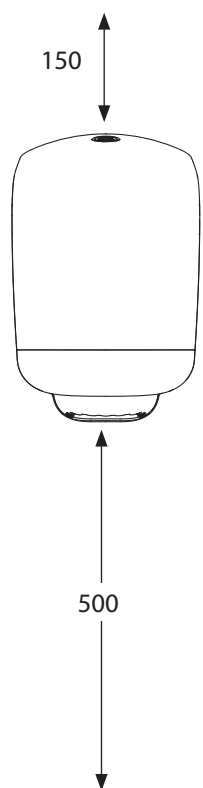
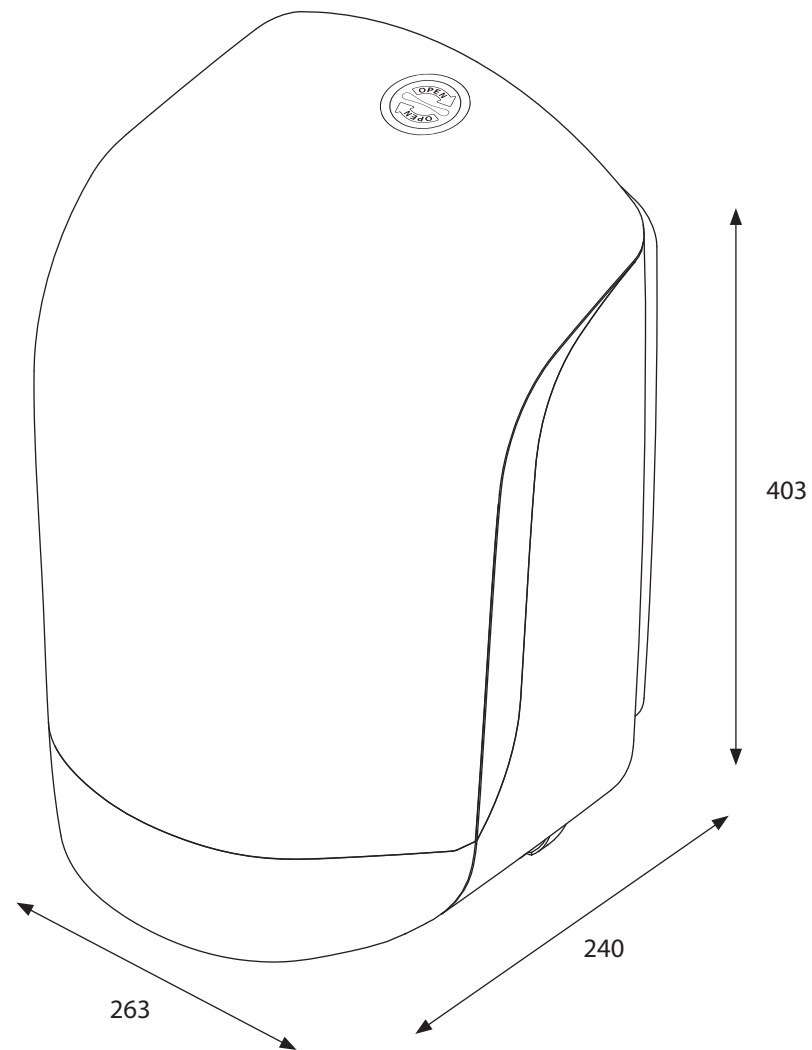


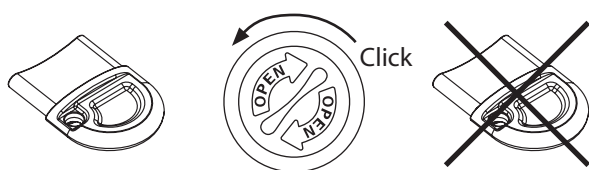
# Katrin Centre Feed M Dispenser



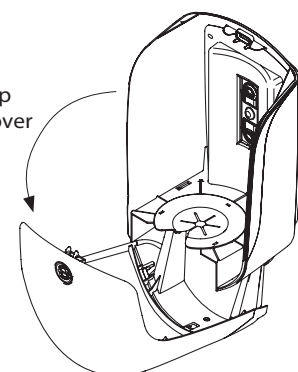
Open with key  
(Position – key needed and turn right)



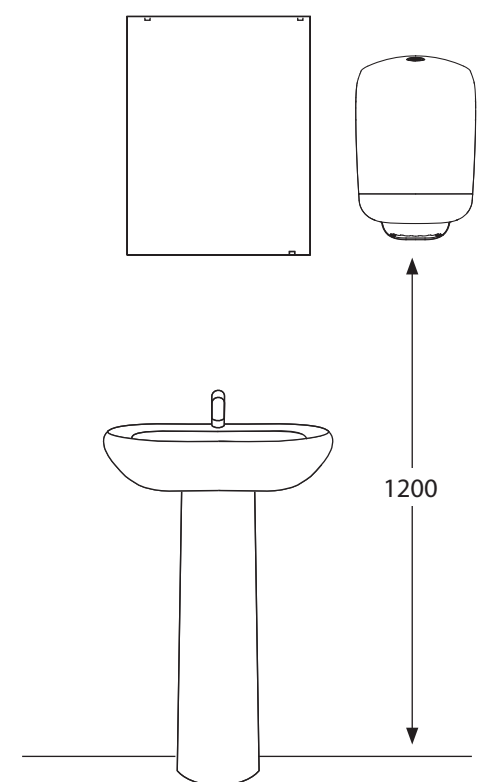
Easy opening  
(Position – turn left with key once,  
then no key needed to open dispenser)



Push on top  
and pull cover  
to open



400



INSTALLATION GUIDE KATRIN CENTERFEED M DISPENSER  
SCALE 1:1

