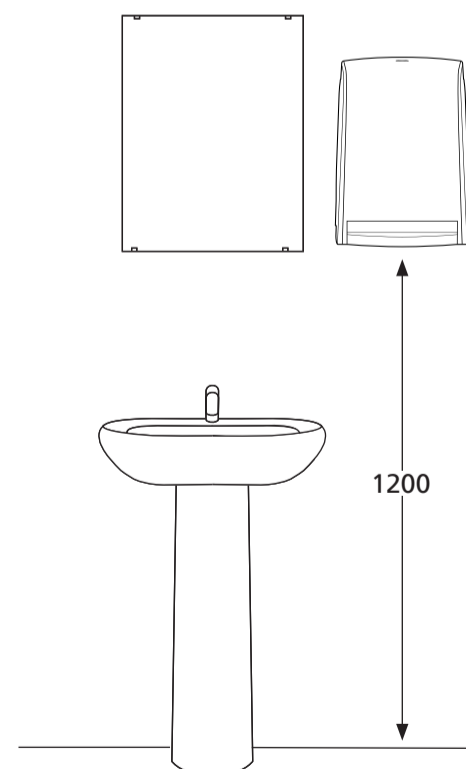
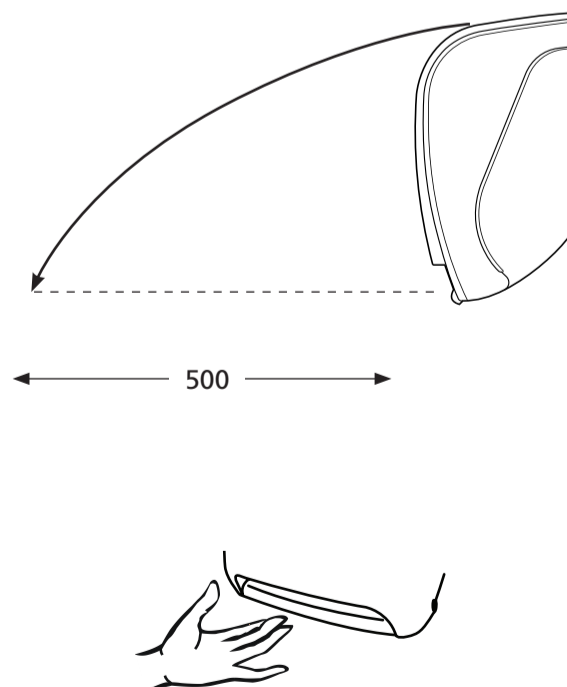
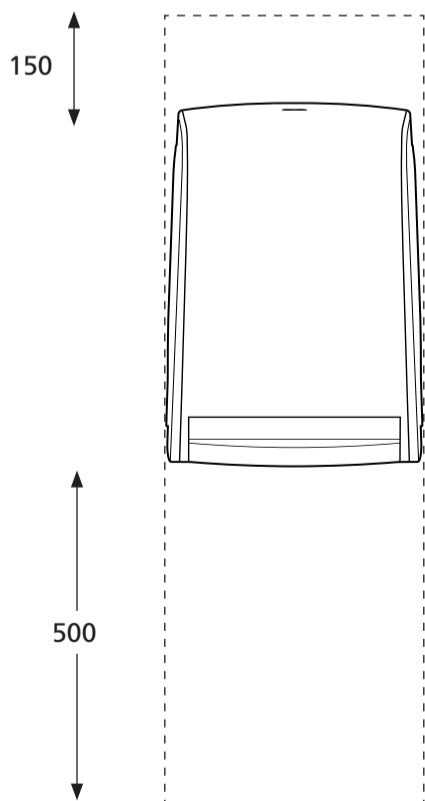
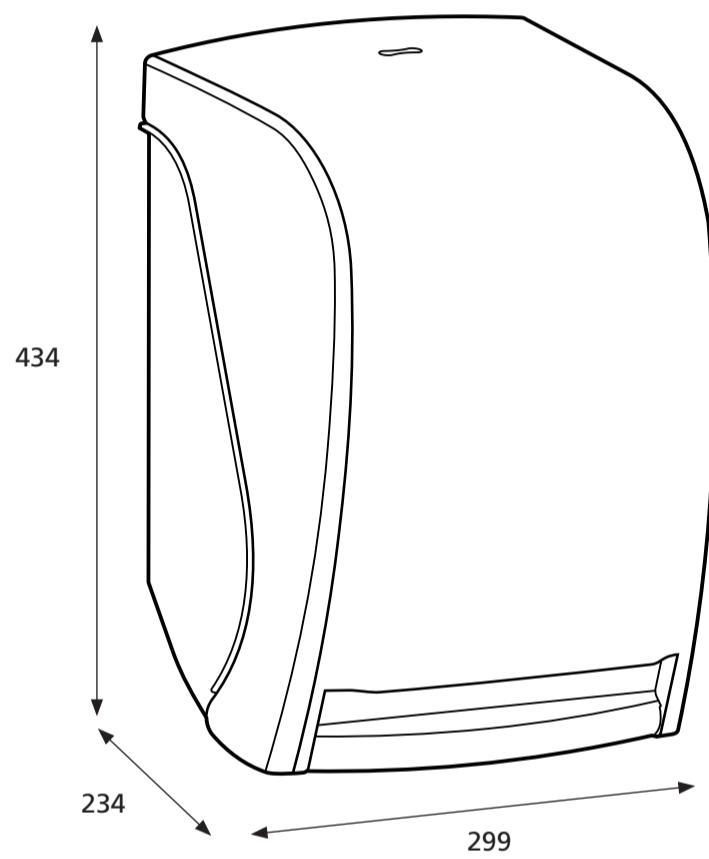
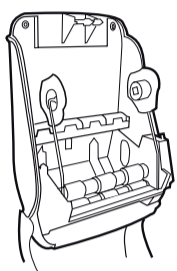


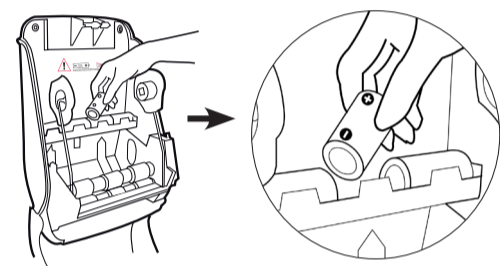
93701, 104438
Katrin System Towel Electric Dispenser



1.



2.



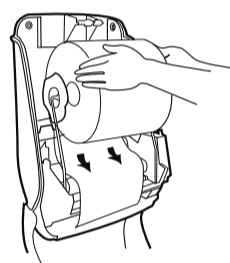
D-CELL
ALKALINE

4 D-cell
alkaline only

~~RECHARGEABLE~~

DO NOT USE
rechargeable batteries

3.



4.

