

# Katrin Inclusive System Toilet Dispenser With Core Catcher - Black

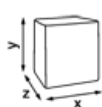
92049

- Holds two Katrin System toilet rolls
- Seamless dispensing with drop-down roll system and adjustable roll brake
- Easy and quick to refill
- Can be refilled while the second roll is in use, so tissue is always available
- 1360 - 1836 sheets, depending on paper quality
- Two versions available: with or without core catcher
- Better paper accessibility at the front of the dispenser opening
- The lock can be used with or without a key
- No searching around inside the dispenser opening for the loose end of the paper roll
- Main raw materials of major plastic parts and lock: ABS (Acrylonitrile butadiene styrene), PC (polycarbonate), POM (polyoxymethylene)
- Katrin Inclusive dispensers are resistant to high temperatures



## ISO14001

### Product / Consumer pack



x 154 mm  
y 402 mm  
z 174 mm

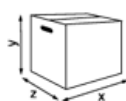


Black



0.912 kg

### Transport pack



x 410 mm  
y 185 mm  
z 157 mm



1

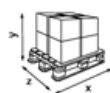


1.132 kg



6414300092049

### Transport pallet



x 800 mm  
y 1260 mm  
z 1200 mm



72

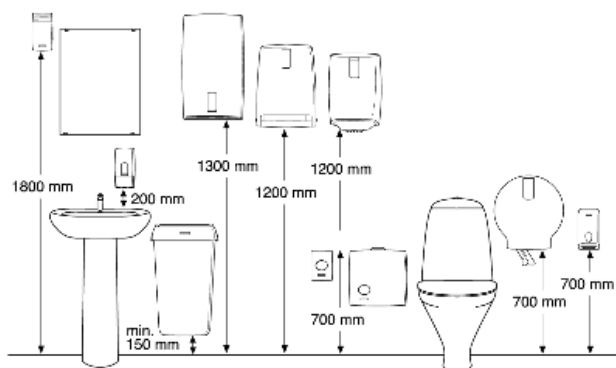


106.654 kg



6414300092056

**Measurements and installing**



**Related products**



103424  
**Katrin Classic  
 System Toilet 800  
 ECO**



156159  
**Katrin Basic System  
 Toilet**



968  
**Katrin Plus System  
 Toilet 3**